

①

GOVT.ENGINEERING COLLEGE KOZHIKODE-5

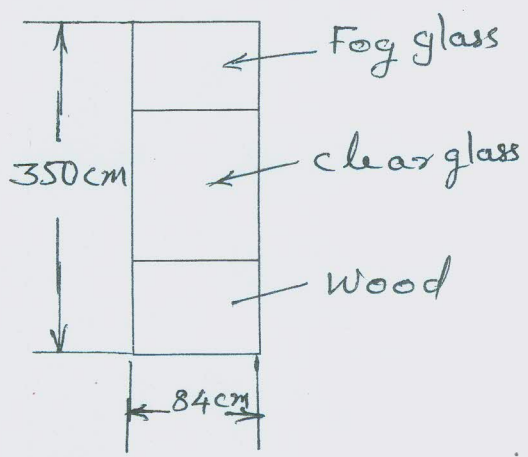
Sl.No.	Dept.	Item with specification	Quantity Nos.
1	Civil	Jefferson chair steel frame,cushion seat and back with wooden writing pad	70
2	Civil	Class room platform 300x150x15cm using GI square pipe & checkard plywood 18mm	5
3	AE & I	Wooden sofa – Mahagony/Rubwood with cushion seat and back-size 175x90x100 cm	1
4	AE & I	Conference table Rubwood or Teak wood SIZE 300X100cm-Height 76cm	1
5	AE & I	Rubwood or Anjili wood cushion chair	12
6	AE & I	Visitors chair 4 seater perforated stainless steel sheet - seat and back	1
7	CHE	Wooden Printer stand -Anjili /mahagony-800h X 800w X 400d MM Two drawer at bottom and one cupboard with split shutter -10mm beading at 3 edges on top surface - drawing attached	13
8	CHE	Steel cabinet , split door with a locker and 5 shelves -20 G Size 198x90x48 cm - drawing attached	1
9	ME	Partition L-shaped for a lenght of 420cm and a height of 350 cm with wood at bottom clear glass at middle and fog glass at top(5 unit)- drawing attached	5unit
10	ME	Door for partition with door closer-195x85cm	1
11	ME	Single drawer table-Anjili wood-90x60x75cm	1

16/11/2017

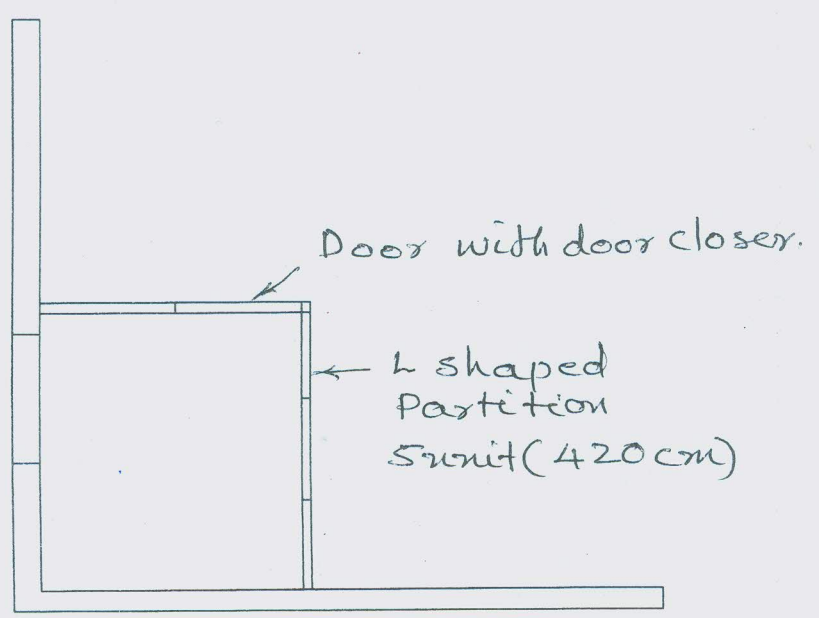
Recommended & Forwarded
Anubhan
17 Nov 2017
HOD, Mech. Engg

N. Balakrishnan
16/11/17
N. BALAKRISHNAN
1st GRADE INSTRUCTOR
GOVT. ENGINEERING COLLEGE
WESTHILL, KOZHIKODE-673005





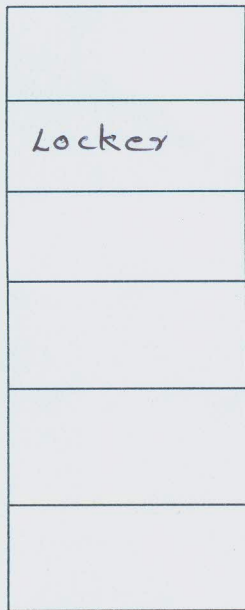
One unit



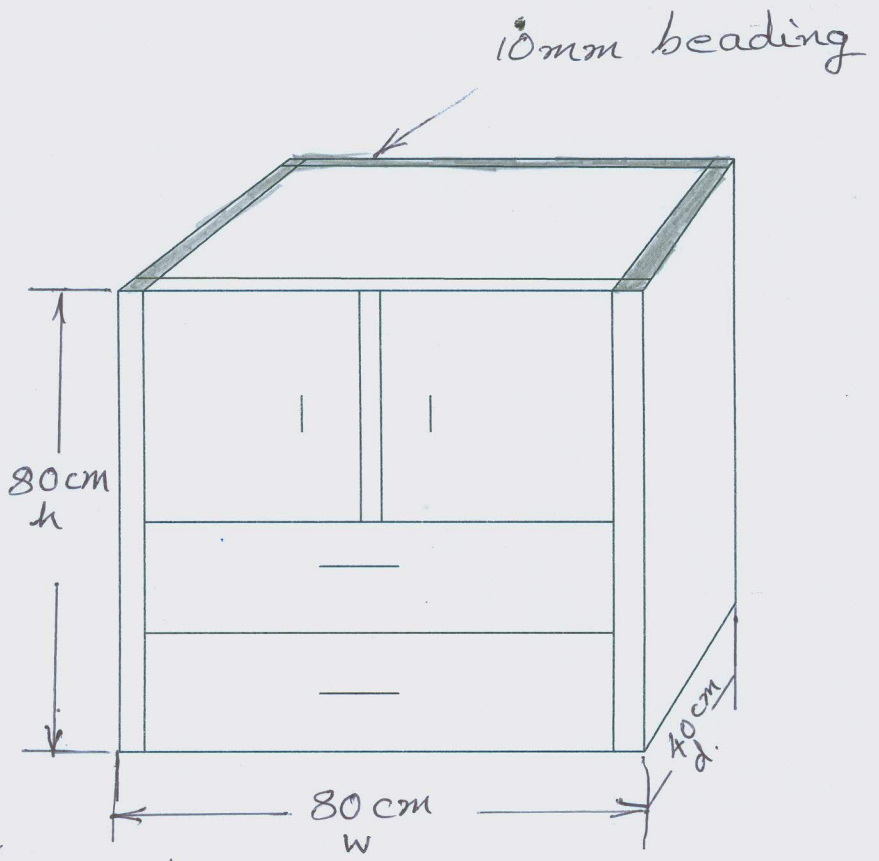
Sl: No: 11 & 12 ME
L-shaped partition.



[Signature]
w/s Suptt.



Sl. No: 9 CHE
Steel cabinet, split door
198 x 90 x 48 cm



Sl. No: 8 CHE
Wooden Printer stand.



Mem
w/s supdt.